

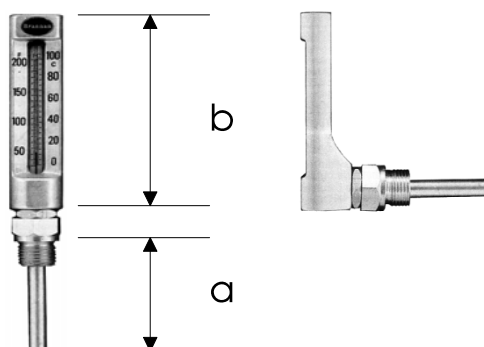
Industrial & Marine Thermometers (V-Line)

Introduction

This page offers a range of Liquid in Glass Thermometers fitted into a metal housing. Used mainly in the marine industry for Engine Temperature Indication, they are also widely used in industry.

Features

- Brannan 'Duramark' permanent markings
- Vertical figuring
- Brass Pocket
- ½" BSP Connection



			(a)	(b)
ITV-040*200*063	-60/40 °C	Straight	63mm	200mm
ITV-040*200*100	-60/40 °C	Straight	100mm	200mm
ITV-040*200*160	-60/40 °C	Straight	160mm	200mm
ITV-050*110*030	-30/50 °C	Straight	30mm	110mm
ITV-100*110*063	0/100 °C	Straight	63mm	110mm
ITV-100*150*100	0/100 °C	Straight	100mm	150mm
ITV-100*200*160	0/100 °C	Straight	160mm	200mm
ITV-120*110*030	0/120 °C	Straight	30mm	110mm
ITV-120*110*100	0/120 °C	Straight	100mm	110mm
ITV-120*200*063	0/120 °C	Straight	63mm	200mm
ITV-120*200*100	0/120 °C	Straight	100mm	100mm
ITV-200*150*063	0/200 °C	Straight	63mm	150mm
ITV-200*150*063R	0/200 °C	90°	63mm	150mm
ITV-200*150*100	0/200 °C	Straight	100mm	150mm
ITV-200*200*063	0/200 °C	Straight	63mm	200mm
ITV-500*200*100	0/500 °C	Straight	100mm	200mm
ITV-500*200*100R	0/500 °C	90°	100mm	200mm

Postal Address
Homersham Ltd
PO Box 280
Christchurch 8140
NEW ZEALAND

Phone: 03 3588309
Phone: 0800 659888

Website: www.homershams.co.nz

Delivery Address
Homersham Ltd
3 Homersham Place
Burnside
Christchurch 8053
NEW ZEALAND

Fax: 03 3582516
Fax: 0800 659777

E-mail: info@homershams.co.nz

